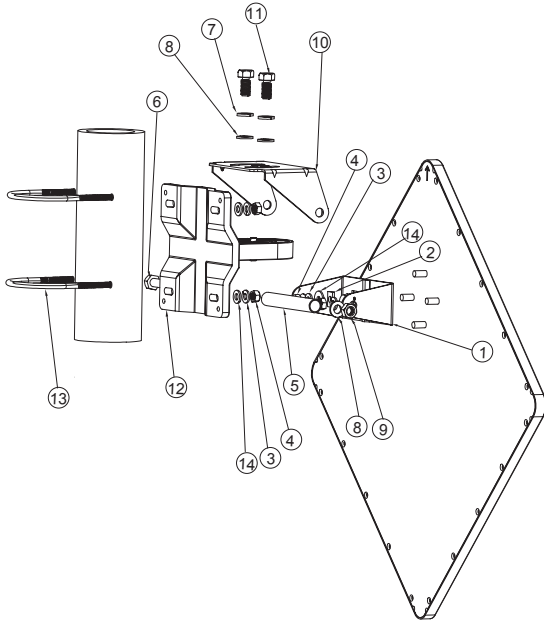


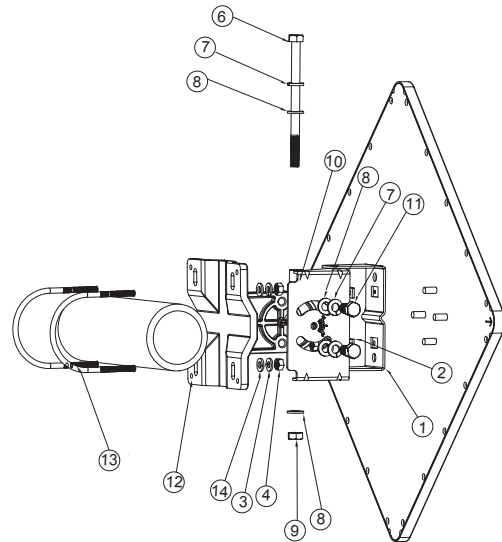
## Pole Mount

There are up/down and left/right tilting features for both vertical and horizontal polarization orientations.

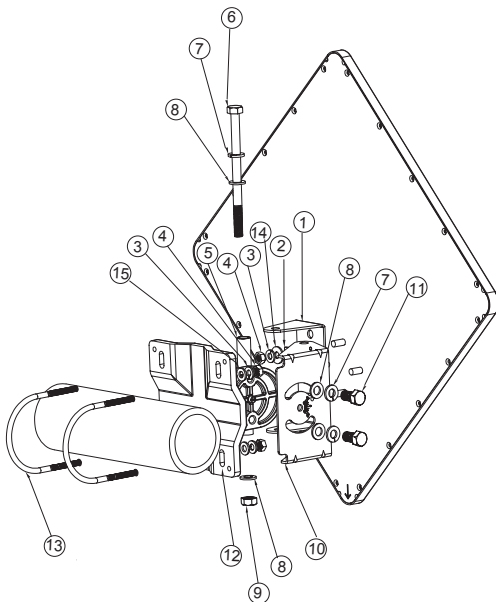
Vertical Polarization  
Vertical Pole Mounting:



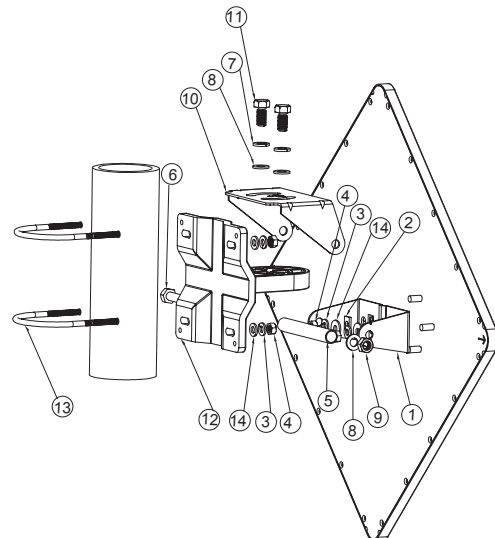
Horizontal Polarization  
Horizontal Pole Mounting:



Vertical Polarization  
Horizontal Pole Mounting:



Horizontal Polarization  
Vertical Pole Mounting:



- 1. M-Type breaket (L) 1Pcs
- 2. Space keeper 2Pcs
- 3. Spaing washer 6Pcs
- 4. M6-1.0 Nut 6Pcs
- 5. Steel tube 93.2 mm 1Pcs
- 6. XHM8-1.25\*120 1Pcs
- 7. M8 spring washer 3Pcs
- 8. M8 washer 4Pcs

- 9. M8 Nut 1Pcs
- 10. Rotating bracket 1Pcs
- 11. XHM8-1.25\*20 2Pcs
- 12. Mounting main fram 1Pcs
- 13. U-Type Screw 2Pcs
- 14. M6 washer 6Pcs

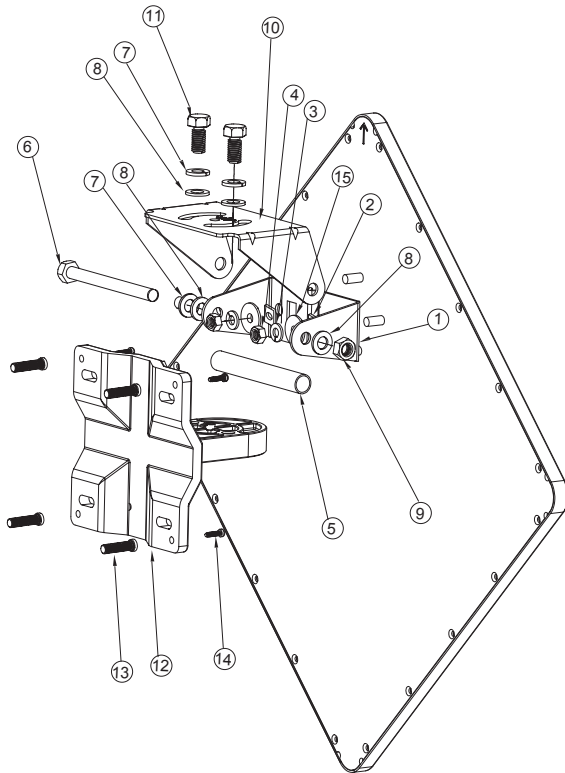
**Note:**

Mounting pole diameter: 2" ~ 3"

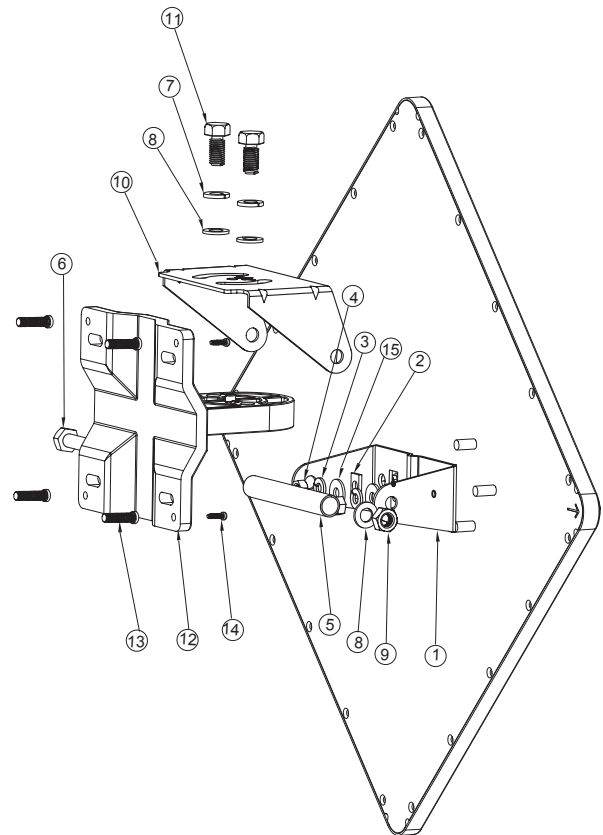
## Wall Mount

There are up/down and left/right tilting features for both vertical and horizontal polarization orientations.

Vertical Polarization  
Wall Mounting:



Horizontal Polarization  
Wall Mounting:



- |                       |      |
|-----------------------|------|
| 1. M-Type bracket (L) | 1Pcs |
| 2. Space keeper       | 2Pcs |
| 3. Spring washer      | 6Pcs |
| 4. M6-1.0 NUT         | 6Pcs |
| 5. Steel tube 93.5 mm | 1Pcs |
| 6. XHM8-1.25*120      | 1Pcs |
| 7. M8 Spring washer   | 3Pcs |
| 8. M8 Washer          | 4Pcs |

- |                         |      |
|-------------------------|------|
| 9. M8 Nut               | 1Pcs |
| 10. Rotating bracket    | 1Pcs |
| 11. XHM8-1.25*20        | 2Pcs |
| 12. Mounting main frame | 1Pcs |
| 13. Wall tiger          | 4Pcs |
| 14. TH 5/32-16*1"       | 4Pcs |
| 15. M6 Washer           | 2Pcs |