

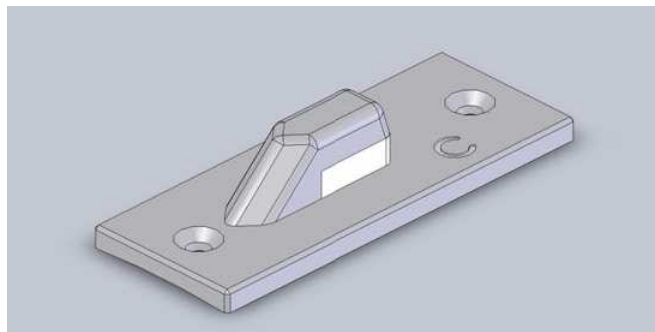
Band Slotted Blade Antenna for 4400-5000 MHz

Preliminary 0.1

SAA19-200180

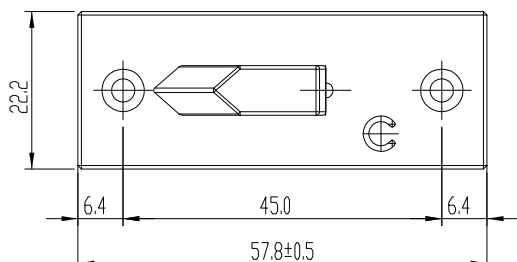
Electrical Specification

Frequency range	4400 – 5000 MHz
Gain	5.5±1 dBi
VSWR	1.6 : 1 Max.
Polarization	Linear, Dual H/V
HPBW/horizontal	N/A
HPBW/vertical	N/A
Power handling	20 W (cw) / 1kW (peak)
Input impedance	50 Ohm
Cable	N/A
Connector	SMA jack
Lightning protection	DC Ground

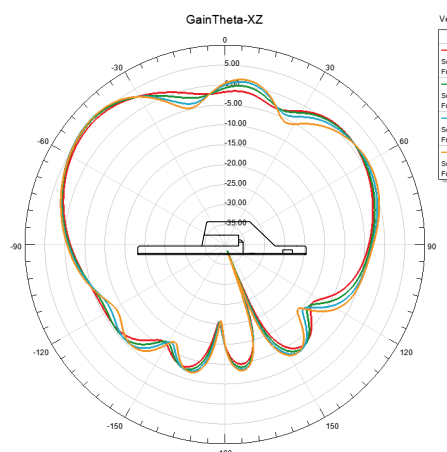


Environmental & Mechanical Characteristics

Survival wind speed	N/A
Temperature	-40°C to +80°C (300°C for 5 minute)
Humidity	95% @ 55°C
Radome color	N/A
Radome material	N/A
Weight	33.5 g
Dimensions	57.8 x 22.2 x 20.1 mm
Waterproof	N/A
Mount kit	N/A



XZ-Plane 4.4 ~ 5.0 GHz-



YZ-Plane 4.4 ~ 5.0 GHz-

