

LTE Omni Directional Antenna

700-850/1710-2170/2500-2700 MHz

Version 1.0

SAA14-330530

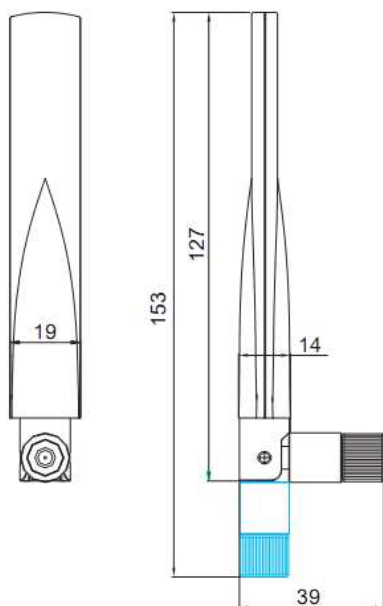
Electrical Specification

Frequency range	700 - 850 MHz	1710 - 2170 MHz	2500 - 2700 MHz
Gain	0-2 dBi	0-6 dBi	0.5-3 dBi
VSWR	3.5 : 1 Max.	3.0 : 1 Max.	3.0 : 1 Max.
Polarization	Linear, vertical		
HPBW/horizontal	360°		
HPBW/vertical	45°-55°	15°-85°	25°-50°
Power handling	10 W (cw)		
Impedance	50 Ohms		
Connector	RP SMA plug		

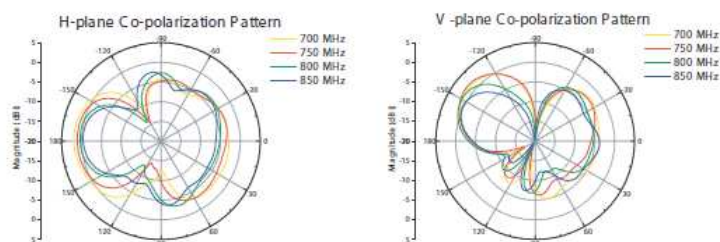


Environmental & Mechanical Characteristics

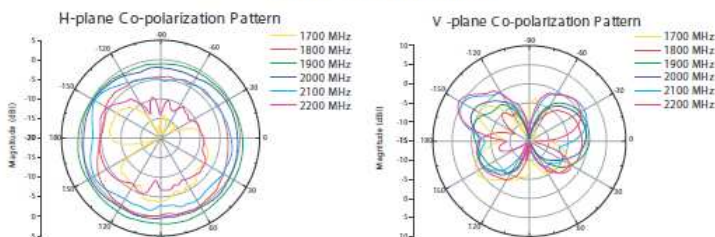
Temperature	-10°C to +55°C
Humidity	95% @55°C
Radome color	Black
Radome material	ABS, UV resistant
Weight	17.5 g
Dimensions	19 x 39 x 127 mm



700~850 MHz



1710~2170 MHz



2500~2700 MHz

