

# Multi-band Railway Antenna for UMTS / HSDPA / WLAN

Version 1.0

## SAA11-110170

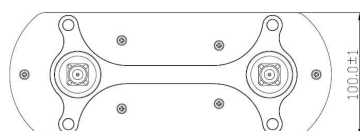
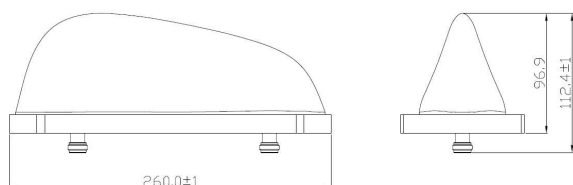
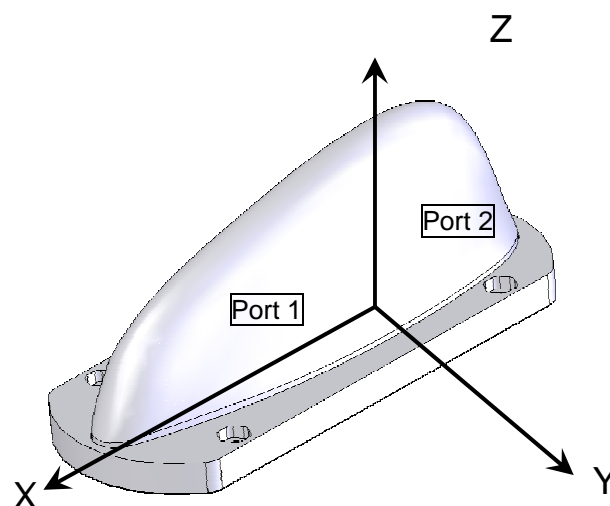
### Electrical Specification

Frequency range	1710 - 2170 MHz	2300 - 2700 MHz	4900 – 6100 MHz
Gain*	8 dBi	9 dBi	8 dBi
VSWR	2.0 :1 Max.		
Polarization	Linear, Vertical		
HPBW/horizontal	360°	210°	Bi – Directional
HPBW/vertical	15°Typ.		
Side-lobe Level	N/A		
Uptilt	15°	15°	35°
Front-to-back ratio	-25 dB Max.		
Isolation	18 dB Min.	20 dB Min.	30 dB Min.
Input impedance	50 Ohm		
Cable	N/A		
Connector	N jack x 2		
Power handling	20 W (cw)		
Lightning protection	DC ground		



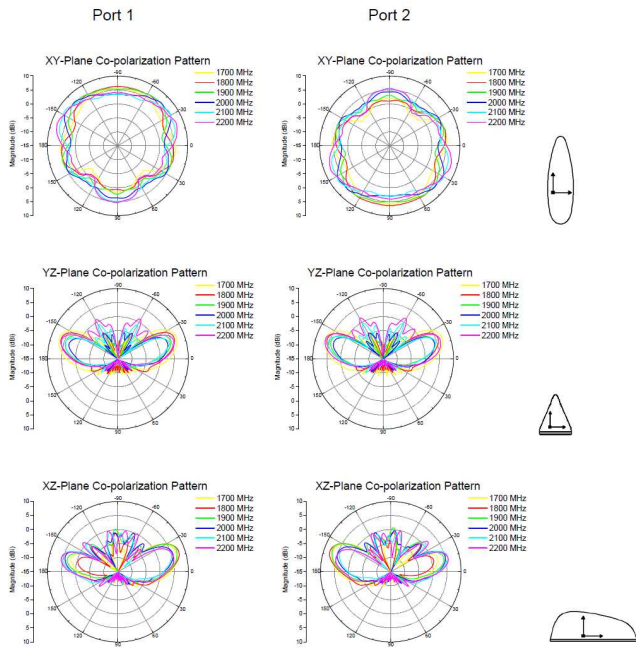
### Environmental & Mechanical Characteristics

Survival wind speed	324 km/hr
Temperature	-40°C to +80°C
Humidity	95% @ 55°C
Radome color	Gray-white
Radome material	PC, UV resistant
Weight	1.15 kg
Dimensions	100 x 260 x 112.4 mm
Mounting kit	IP-X7

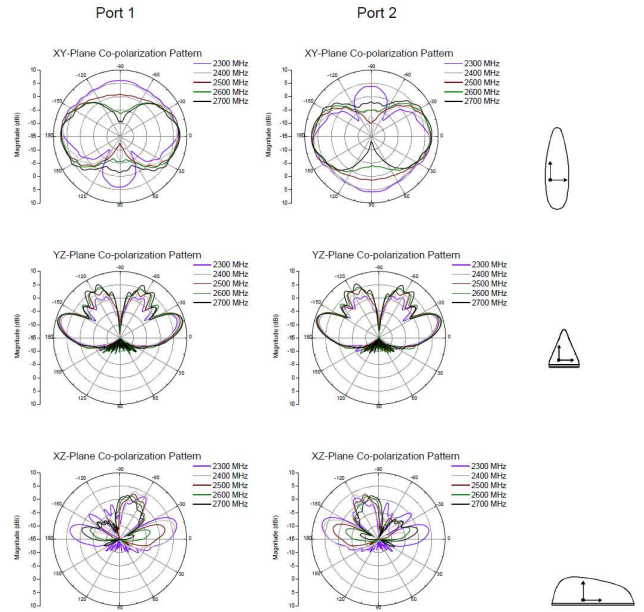


# Radiation Pattern

## 1700~2200 MHz



## 2300~2700 MHz



## 4900~6100 MHz

