

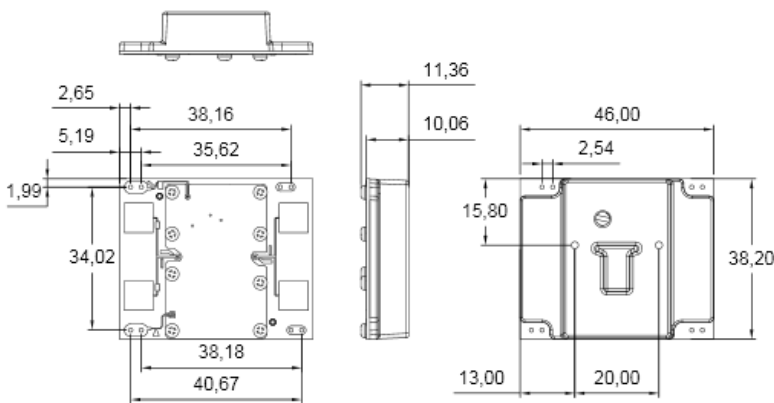
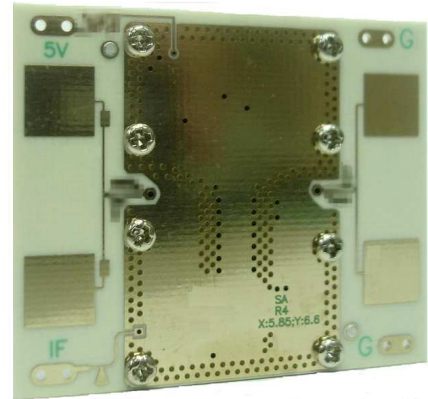
10.525GHz Microwave Sensor

Version 0.1

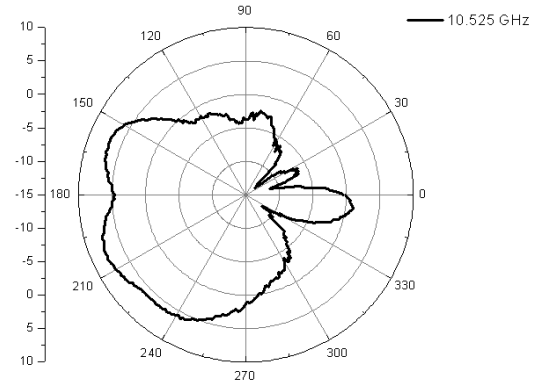
SAA10-210240

Electrical Specifications

Operating Frequency	10.525GHz
Frequency Stability @ -30° to +60°C	±5MHz
Output Power(E.I.R.P)	14dBm Max.
Second Harmonics Emission	-30dBm Max.
Return Loss Sensitivity	-90dBc typ.
RF Interface	Patch Antenna
Supply Voltage	5V±0.5Vdc
Supply Current	30mA Max.
Antenna Beam-width	H-plane 90° typ. V-plane 30° typ.
Operating Temperature	-30° to +60°C
Storage Temperature Range	-40° to +80°C



H-plane Co-polarization Pattern



V-plane Co-polarization Pattern

