

Dual Band Omni Directional Antenna for 824-960 & 1710-2170 MHz

Version 1.0

SAA10-150290

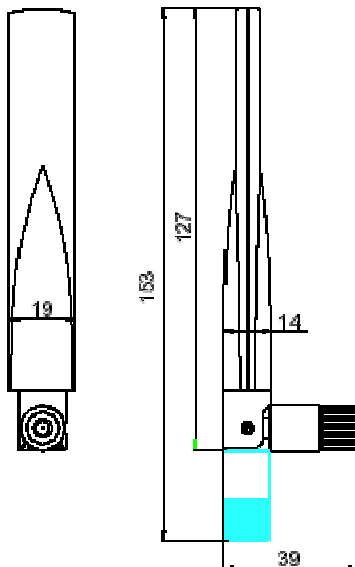
Electrical Specification

Frequency range	824 MHz – 960 MHz	1710 MHz – 2170 MHz
Gain	0~3 dBi	0~2 dBi
VSWR	3.5 : 1 Max.	3.0 : 1 Max.
Polarization	Linear, vertical	
HPBW/horizontal	360°	360°
HPBW/vertical	80°	90°
Power handling	2 (cw)	
Impedance	50 Ohm	
Connector	SMA plug	
Efficiency	65%	65%

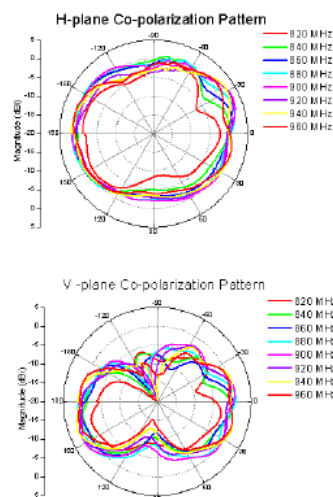


Environmental & Mechanical Characteristics

Temperature	-10°C to +55°C
Humidity	95% @55°C
Radome color	Black
Radome material	ABS, UV resistant
Weight	20.5 g
Dimensions	19 x 39 x 127 mm



824 ~ 960 MHz



1710 ~ 2170 MHz

