

Omni Directional Antenna for 2400-2500 / 5100-5900 MHz

Version 2.0

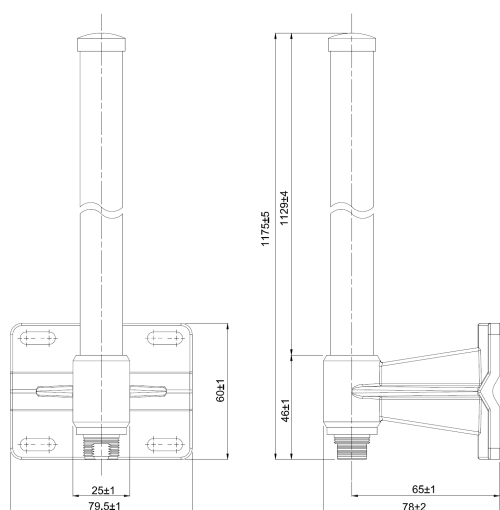
SAA08-220570

Electrical Specification

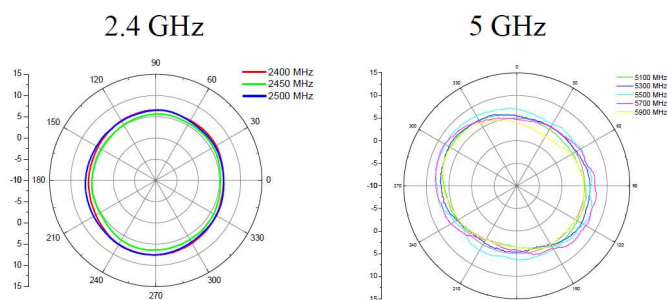
Frequency range	2400 - 2500 MHz	5100 - 5900 MHz
Peak gain	8.0 dBi	10.0 dBi
VSWR	2.0 : 1 Max.	
Polarization	Linear, Vertical	
Horizontal HPBW	360°	
Vertical HPBW	13°	7°-10°
Cable	N/A	
Impedance	50Ohm	
Connector	N jack	
Power handling	5 W (cw)	
Lightning protection	DC ground	

Environmental & Mechanical Characteristics

Survival wind speed	216 km/hr
Temperature	-40°C to +80°C
Humidity	95% @55°C
Radome color	White
Radome material	Fiber glass, UV resistant
Weight	390 g
Dimensions	80 x 78 x 1175 mm
Waterproof	IP-67
Mounting kit	Wall Mount & Pole Mount



H-plane Co-polarization Pattern



V-plane Co-polarization Pattern

