

Directional Disguise Antenna

for DCS 1800 / PCS 1900 / IMT 2000

Version 0.1

SAA08-060050

Electrical Specification

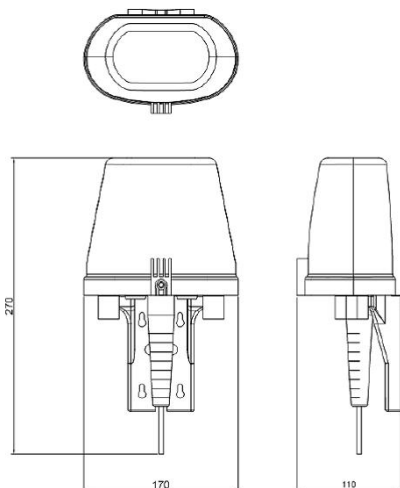
Frequency range	1710 MHz - 2170 MHz
Gain*	7.5 - 8.5 dBi
VSWR	1.5 : 1 Max
Polarization	Linear, vertical
HPBW/horizontal	60° - 70°
HPBW/vertical	65° - 75°
Downtilt	0°
Power handling	50 W (cw)
Impedance	50 Ohms
Connector	N Jack
Cable	ULA 198, 12 cm

*Exclusive of cable loss.

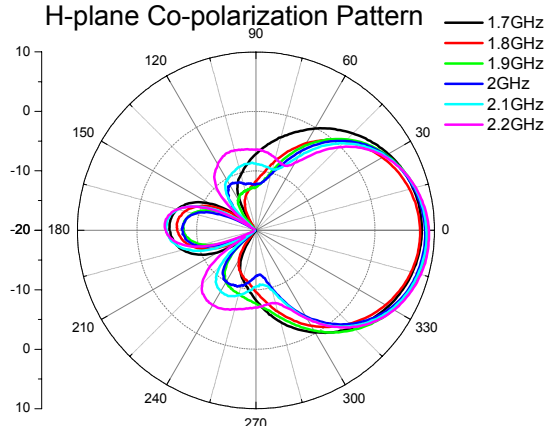


Environmental & Mechanical Characteristics

Survival wind speed	216 km/hr
Temperature	-40°C to +80°C
Humidity	95% @55°C
Radome color	Gray
Radome material	ABS, UV resistant
Weight	0.9 kg
Dimensions	270 x 150 x 100 mm



H-plane Co-polarization Pattern



V-plane Co-Polarization Pattern

