

# Dual Band Omni Directional Antenna

## for GSM850 / PCS1900

Version 1

### SAA07-150340

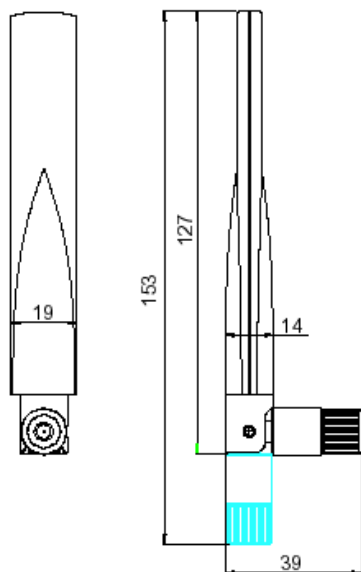
#### Electrical Specification

Frequency range	824 - 894 MHz	1850 - 1990 MHz
Peak Gain	0 - 1.5 dBi	0.5 - 2.5 dBi
Average Gain	0 - 2 dBi	0 dBi
VSWR	3.5 : 1 Max	
Polarization	Linear, vertical	
Horizontal HPBW	360°	360°
Vertical HPBW	90°	90°
Power handling	2 W (cw)	
Impedance	50 Ohm	
Connector	SMA Plug	

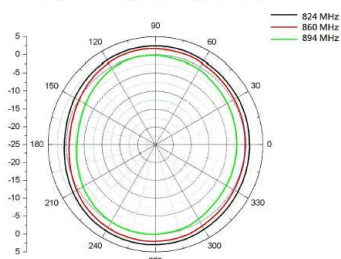


#### Environmental & Mechanical Characteristics

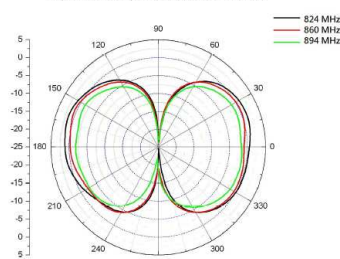
Temperature	-10 °C to +55 °C
Humidity	95% @55°C
Radome color	Black
Radome material	ABS, UV resistant
Weight	20.5 g
Dimensions	19 x 39 x 127 mm



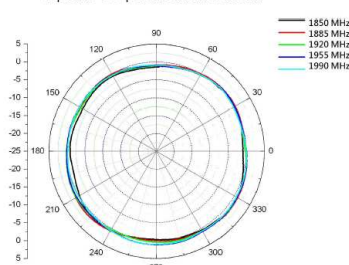
H-plane Co-polarization Pattern



H-plane Co-polarization Pattern



V-plane Co-polarization Pattern



V-plane Co-polarization Pattern

