

# Omni Directional Antenna for WiMax

Version 1.0

## SAA07-050180

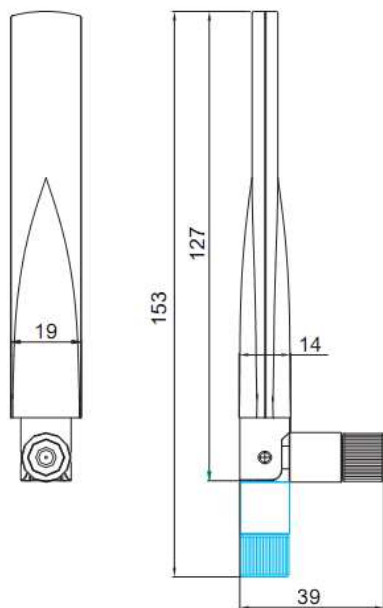
### Electrical Specification

Frequency range	2500 - 2700 MHz
Gain	4.0 dBi
VSWR	2.0 : 1 Max.
Polarization	Linear, vertical
HPBW/horizontal	360°
HPBW/vertical	46°
Power handling	2 W (cw)
Impedance	50 Ohms
Connector	RP SMA plug

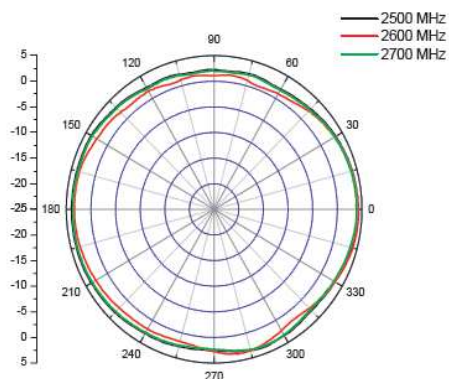


### Environmental & Mechanical Characteristics

Temperature	-10°C to +55°C
Humidity	95% @55°C
Radome color	Black
Radome material	ABS, UV resistant
Weight	21 g
Dimensions	19 x 39 x 127 mm



### H-plane Co-polarization Pattern



### V-plane Co-polarization Pattern

