

# Dual Band Omni Directional Antenna for 2400-2500 / 5150-5875 MHz

## SAA06-220960

Version 1.0

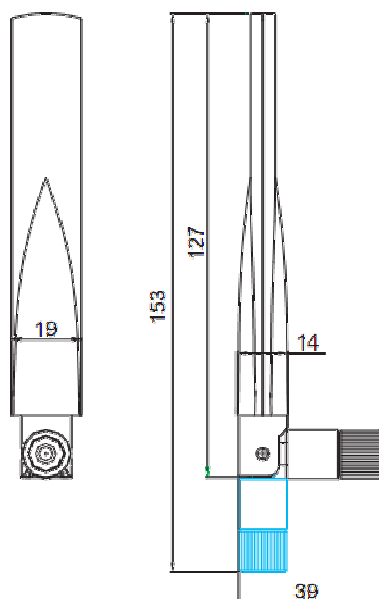
### Electrical Specification

Frequency range	2400 - 2500 MHz	5150 - 5350 MHz	5350 - 5875 MHz
Peak gain	3.0 dBi	4.0 - 5.5 dBi	5.5 - 6.0 dBi
Average gain	2.0 dBi	2.0 - 3.5 dBi	3.5 - 4.5 dBi
VSWR	2.0 : 1 Max.		
Polarization	Linear, vertical		
HPBW/horizontal	360°	360°	360°
HPBW/vertical	50°	25°	25°
Power handling	2 W (cw)		
Impedance	50 Ohm		
Connector	RP SMA plug		

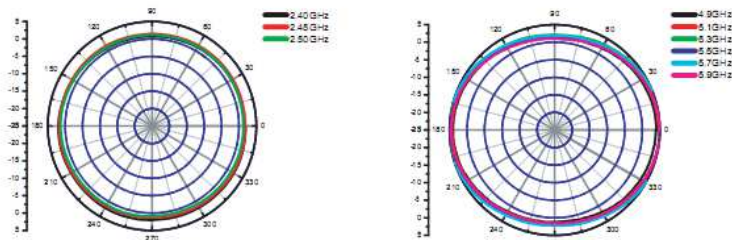


### Environmental & Mechanical Characteristics

Temperature	-10°C to +55°C
Humidity	95% @55°C
Radome color	Black
Radome material	ABS, UV resistant
Weight	21 g
Dimensions	19 x 39 x 153 mm



H-plane Co-polarization Pattern



V-plane Co-polarization Pattern

