

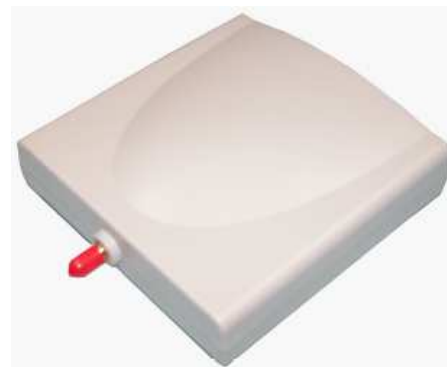
Directional Panel Antenna for PCS1800 / PCS1900 / IMT2000

Version 2.0

SAA06-150290

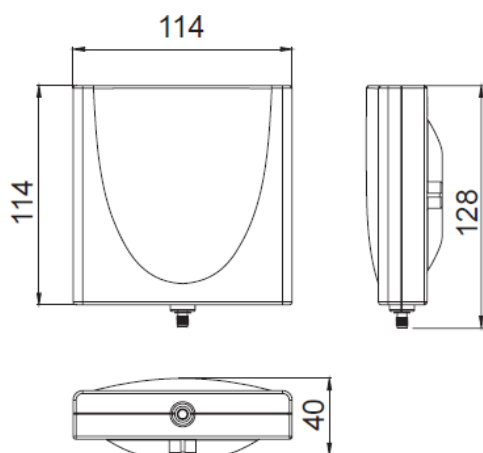
Electrical Specification

Frequency range	1710 - 1880 MHz	1850 - 1990 MHz	1920 - 2170 MHz
Gain	7.0 dBi	7.5 dBi	8.0 dBi
VSWR	2.0 : 1 Max.		
Polarization	Linear, Vertical		
HPBW/horizontal	60°		
HPBW/vertical	60°		
Front to back ratio	15 dB		
Downtilt	0°		
Power handling	20 W (cw)		
Input impedance	50 Ohm		
Connector	SMA jack		

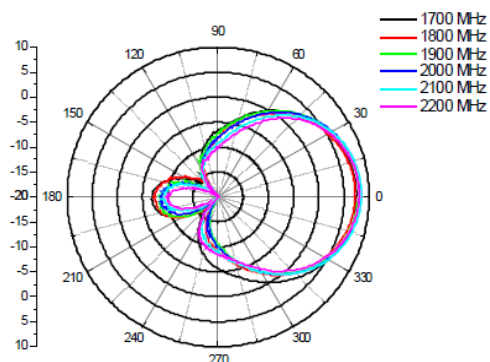


Environmental & Mechanical Characteristics

Survival wind speed	216 km/hr
Temperature	-40°C to +80°C
Humidity	95% @ 55°C
Radome color	Gray
Radome material	ABS, UV Resistant
Weight	127 g
Dimensions	128 x 114 x 40 mm
Waterproof	IPX5
Mount kit	Pole Mount & Wall Mount & Window Mount



H-plane Co-polarization Pattern



V-plane Co-polarization Pattern

