

Dual-Band Omni Directional Antenna for 2400 - 2500 / 5150-5900 MHz

SAA05-220920

Version 1.0

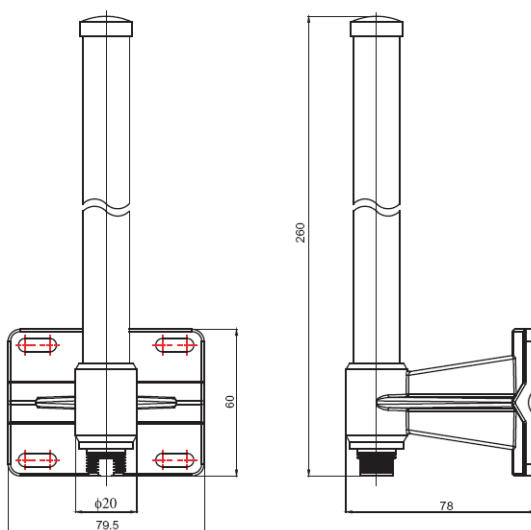
Electrical Specification

Frequency range	2400 - 2500 MHz	5150 - 5900 MHz
Peak Gain	4.0 dBi	7.0 - 8.0 dBi
Average Gain	3.0 dBi	4.5 - 5.5 dBi
VSWR	2.0 : 1 Max.	2.0 : 1 Max.
Polarization	Linear, Vertical	Linear, Vertical
HPBW/horizontal	360°	360°
HPBW/vertical	35°	20°
Input impedance	50 Ohm	
Connector	N jack	
Power handling	2 W (cw)	

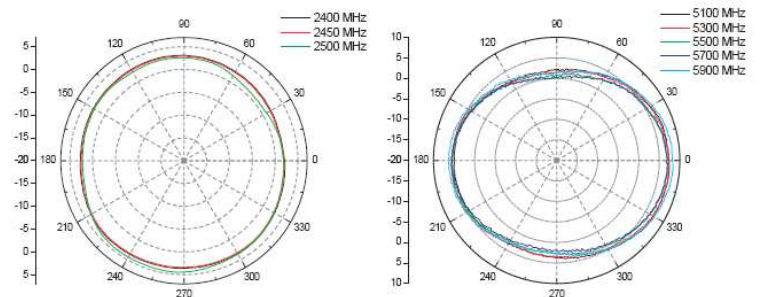


Environmental & Mechanical Characteristics

Survival wind speed	216 km/hr
Temperature	-10°C to +55°C
Humidity	95% @ 55°C
Radome color	White
Radome material	Fiber glass, UV resistant
Weight	206 g
Dimensions	80 x 78 x 260 mm



H-plane Co-polarization Pattern



V-plane Co-polarization Pattern

