

Dual Band Omni Directional Antenna for 2400 - 2500 / 4900 - 5875 MHz

Version 2

SAA05-220630

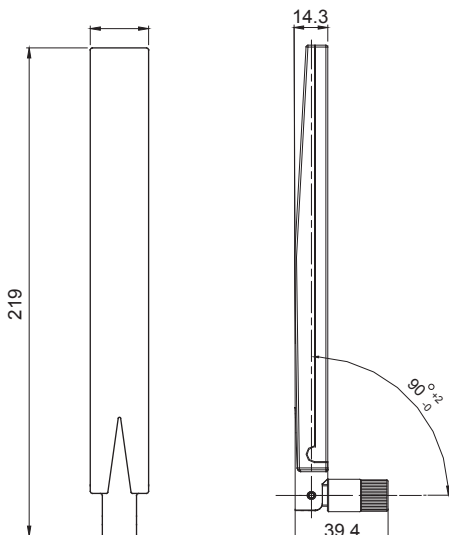
Electrical Specification

Frequency range	2400 - 2500 MHz	4900 - 5875 MHz
Peak Gain	4.0 dBi	6 dBi
Average Gain	2.5 dBi	4.5 dBi
VSWR	2.0 : 1 (Max.)	2.0 : 1 (Max.)
Polarization	Linear, vertical	Linear, vertical
HPBW / horizontal	360°	360°
HPBW / vertical	25°	15°
Power handling	2 W (cw)	2 W (cw)
Impedance	50 Ohm	50 Ohm
Connector	RP SMA plug	

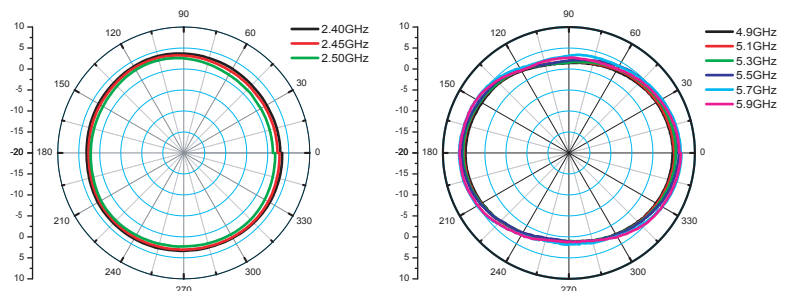


Environmental & Mechanical Characteristics

Temperature	- 10°C to + 55°C
Humidity	95% @ 55°C
Radome color	Black
Radome material	ABS, UV resistant
Weight	38 g
Dimensions	219 x 23 x 14 mm



H-plane Co-polarization Pattern



V-plane Co-polarization Pattern

