

Dual Band Omni Directional Antenna for 2400-2500 / 5470-5875 MHz

Version 2.0

SAA05-220480

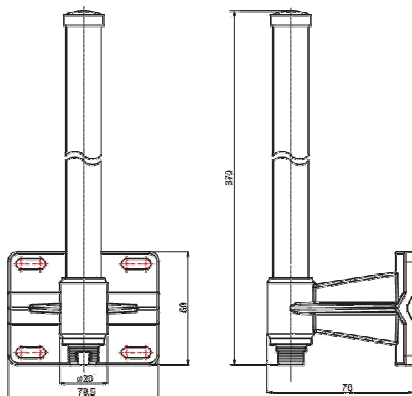
Electrical Specification

Frequency range	2400-2500 MHz	5470-5875 MHz
Peak gain	8.0 dBi	8.0 dBi
VSWR	2.0 : 1 Max.	
Polarization	Linear, Vertical	
HPBW/horizontal	360°	
HPBW/vertical	15°	
Power handling	20 W (cw)	
Input impedance	50 Ohm	
Connector	N jack	

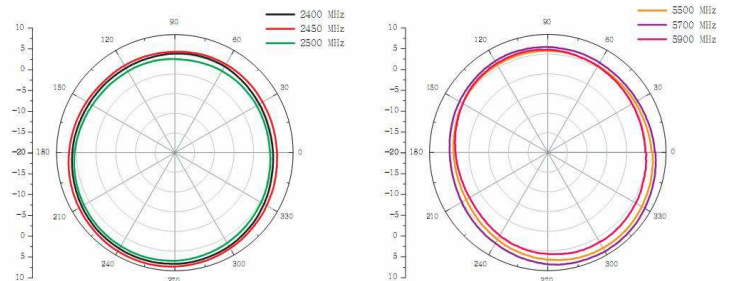


Environmental & Mechanical Characteristics

Survival wind speed	216 km/hr
Temperature	-40°C to +80°C
Humidity	95% @ 55°C
Radome color	Gray
Radome material	ABS, UV Resistant
Weight	350 g
Dimensions	80 x 78 x 870 mm
Mounting kit	Wall Mount & Pole Mount



H-plane Co-polarization Pattern



V-plane Co-polarization Pattern

