

Dual Band Omni Directional Antenna

Version 1

for 2400 - 2500 / 4900 - 5875 MHz

SAA05-220420

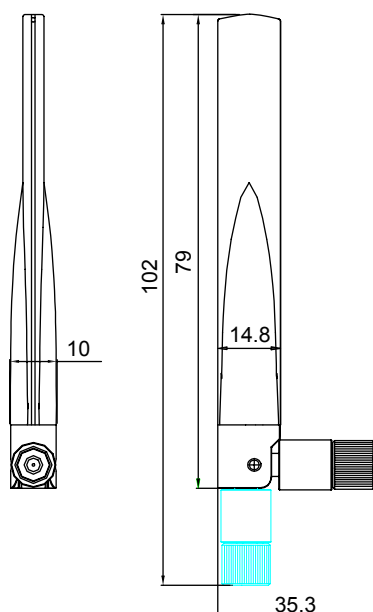
Electrical Specification

Frequency range	2400 - 2500 MHz	4900 - 5875 MHz
Peak Gain	2 dBi	2 dBi
Average Gain	1 dBi	1 dBi
VSWR	2.0 : 1 (Max.)	2.0 : 1 (Max.)
HPBW / horizontal	360°	360°
HPBW / vertical	80°	80°
Polarization	Linear, vertical	Linear, vertical
Power handling	2 W (cw)	
Impedance	50 Ohm	
Connector	RP SMA plug	

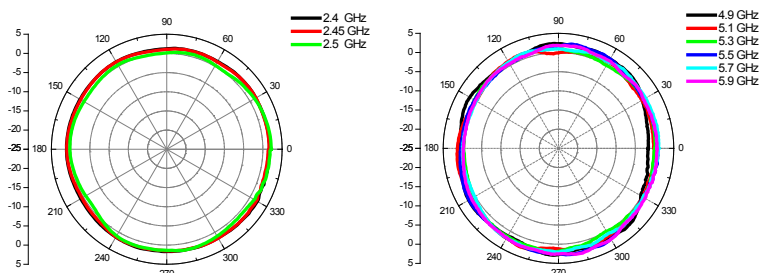


Environmental & Mechanical Characteristics

Temperature	- 10° C to +55° C
Humidity	95% @ 55° C
Radome color	Black
Weight	9 g
Dimensions	10 x 35.3 x 102 mm



H-plane Co-polarization Pattern



V-plane Co-polarization Pattern

