

# Directional Panel Antenna for 4900 - 5875 MHz

Version 3.0

## SAA05-200390

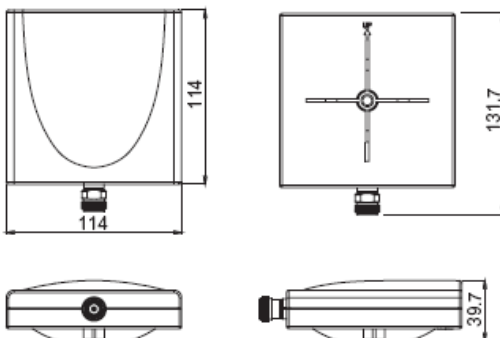
### Electrical Specification

Frequency range	4900 – 5875 MHz
Gain	10 dBi
VSWR	2.0 : 1 Max.
Polarization	Linear, Vertical
HPBW/horizontal	45°
HPBW/vertical	45°
ETSI compliance	Co-pol. -8dB Max.
Front-to-back ratio	-15 dB Max.
Isolation	N/A
Input impedance	50 Ohm
Cable	N/A
Connector	N jack
Power handling	2 W (cw)
Lightning protection	DC ground

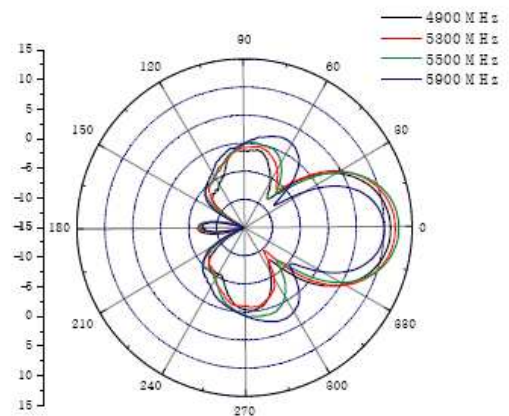


### Environmental & Mechanical Characteristics

Survival wind speed	216 km/hr
Temperature	-40°C to +80°C
Humidity	95% @ 55°C
Radome color	Light gray
Radome material	ABS, UV resistant
Weight	107 g
Dimensions	114 x 114 x 40 mm
Waterproof	IP-X5
Mounting kit	Pole mount & Window mount & Wall mount



H-plane Co-polarization Pattern



V-plane Co-polarization Pattern

