

Omni Directional Antenna for 4900 - 5350 MHz

Version 2.0

SAA05-200180

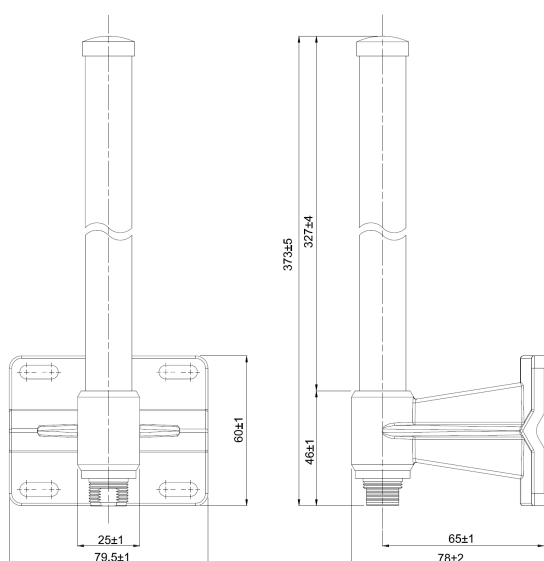
Electrical Specification

Frequency range	4900 MHz – 5350 MHz
Peak gain	8.0 dBi
VSWR	2.0 : 1 Max.
Polarization	Linear, Vertical
HPBW/horizontal	360°
HPBW/vertical	12°
Downtilt	0°
Power handling	20 W (cw)
Impedance	50Ohm
Connector	N jack

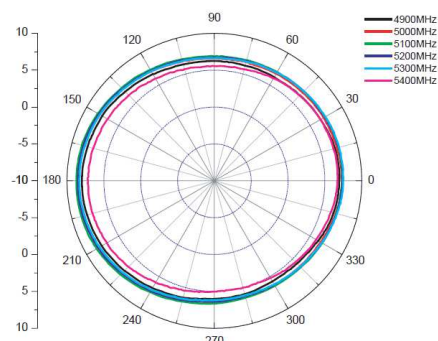


Environmental & Mechanical Characteristics

Survival wind speed	216 km/hr
Temperature	-40°C to +80°C
Humidity	95% @55°C
Radome color	Gray
Radome material	Fiber glass, UV resistant
Weight	280 g
Dimensions	80 x 78 x 373 mm



H-plane Co-polarization Pattern



V-plane Co-polarization Pattern

