

High Gain Omni Directional Antenna for 3400 - 3700 MHz

Version 1

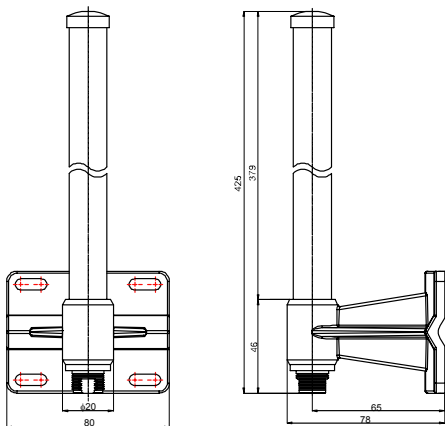
SAA05-120050

Electrical Specification

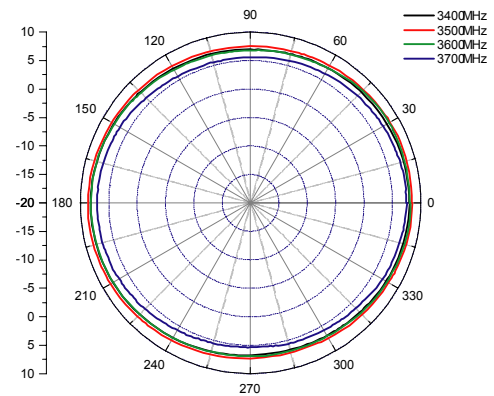
Frequency range	3400 - 3700 MHz
Gain	8 dBi
VSWR	2.0 : 1 (Max.)
Polarization	Linear, vertical
Horizontal HPBW	360°
Vertical HPBW	13°
Standard compliance	N/A
Front-to-back ratio	N/A
Isolation	N/A
Input impedance	50 Ohm
Cable	N/A
Connector	N jack
Power handling	20 W (cw)
Lightning protection	DC ground

Environmental & Mechanical Characteristics

Survival wind speed	216 km/hr
Temperature	-40°C to +80°C
Humidity	95% @55°C
Radome color	Gray
Radome material	Fiber glass, UV resistant
Weight	0.25 kg
Dimensions	425 x 80 x 78 mm
Waterproof	N/A
Mount kit	N/A



H-plane Co-polarization Pattern



V-plane Co-polarization Pattern

