

# Omni-Directional Antenna

Version 2

## for 2.4 GHz

### SAA05-050640

#### Electrical Specification

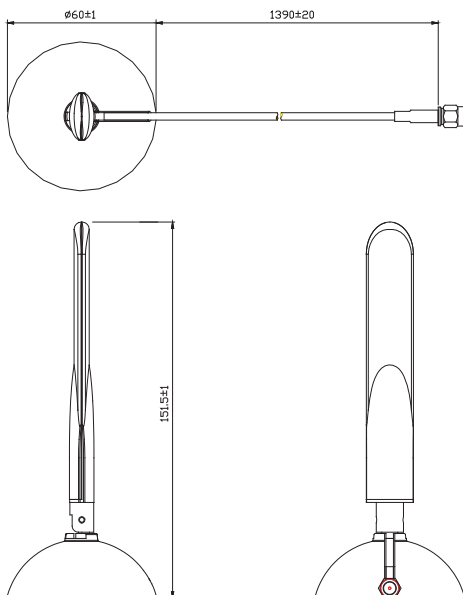
Frequency range	2400 MHz - 2500 MHz
Peak gain <sub>1</sub>	3.5 dBi
Average gain <sub>2</sub>	2.2 dBi
VSWR	2.0 : 1 Max.
HPBW / horizontal	360°
HPBW / vertical	55°
Polarization	Linear, vertical
Impedance	50 Ohms
Cable	ULA 100 , 1.5M (Black)
Cable loss	1.8 dB
Connector	RP SMA Plug

1,2 Exclusive of cable loss

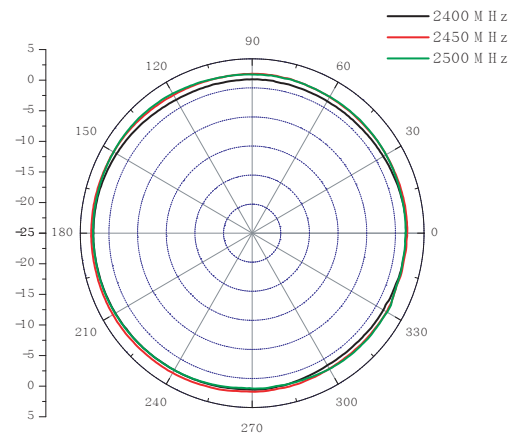


#### Environmental & Mechanical Characteristics

Temperature	- 10°C to +55°C
Humidity	95% @ 55°C
Radome color	Black
Weight	85g
Dimensions	1450 x 60 x 153 mm



H-plane Co-polarization Pattern



V-plane Co-polarization Pattern

