

Omni Directional Antenna for 2400 - 2500 MHz

Version 2.0

SAA05-050280

Electrical Specification

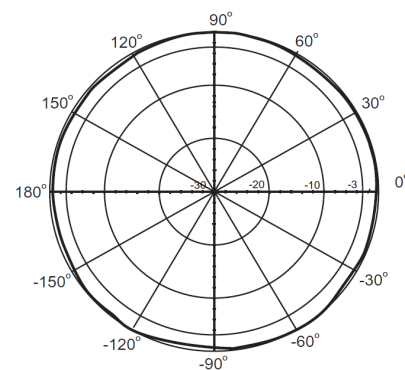
Frequency range	2400 - 2500 MHz
Gain	8.0 dBi
VSWR	2.0 : 1 Max.
Polarization	Linear, Vertical
HPBW/horizontal	360°
HPBW/vertical	15°
Downtilt	0°
Power handling	10 W (cw)
Input impedance	50 Ohm
Connector	N female
Lightning protection	DC Ground



Environmental & Mechanical Characteristics

Survival wind speed	216 km/hr
Temperature	-40°C to +80°C
Humidity	95% @ 55°C
Radome color	Gray-white
Radome material	Fiber glass
Weight	285 g
Dimensions	80 x 78 x 583 mm

H-plane Co-polarization Pattern



V-plane Co-polarization Pattern

