

Omni Directional Antenna for 2400 - 2500 MHz

Version 4.0

SAA05-050060

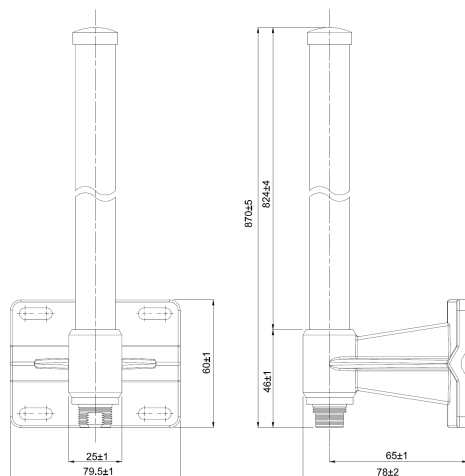
Electrical Specification

Frequency range	2400 - 2500 MHz
Gain	9.5 dBi
VSWR	2.0 : 1 Max.
Polarization	Linear, Vertical
HPBW/horizontal	360°
HPBW/vertical	10°
Downtilt	0°
Power handling	20 W (cw)
Input impedance	50 Ohm
Connector	N jack
Lightning protection	DC ground

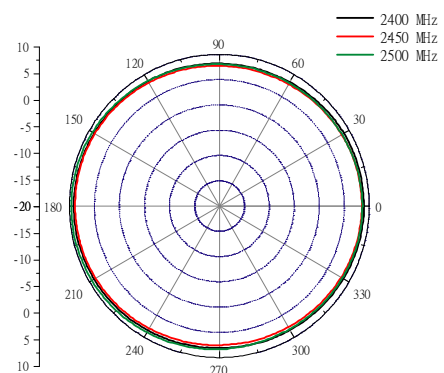


Environmental & Mechanical Characteristics

Survival wind speed	216 km/hr
Temperature	-40°C to +80°C
Humidity	95% @ 55°C
Radome color	Gray
Radome material	Fiber glass, UV resistant
Weight	350 g
Dimensions	80 x 78 x 870 mm



H-plane Co-polarization Pattern



V-plane Co-polarization Pattern

