

# Dual Band Directional Panel Antenna

Version 2

## for 2400 - 2500 / 4900 - 5875 MHz

### SAA04-222070

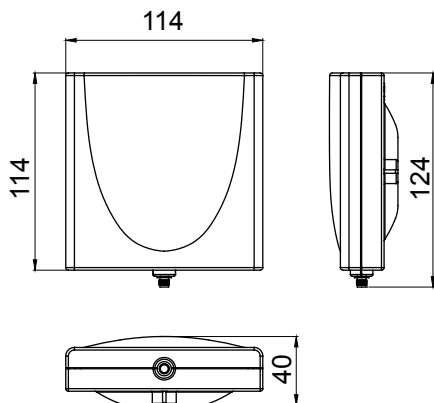
#### Electrical Specification

Frequency range	2400 - 2500 MHz	4900 - 5875 MHz
Gain	8.5 dBi	10.5 dBi
VSWR	2.0 : 1 Max.	2.0 : 1 Max.
Polarization	Linear, vertical	Linear, vertical
HPBW / horizontal	58°	45°
HPBW / vertical	55°	45°
Front to back ratio	15 dB	
Downtilt	0°	
Power handling	10 W (cw)	
Impedance	50 Ohm	
Connector	SMA jack	

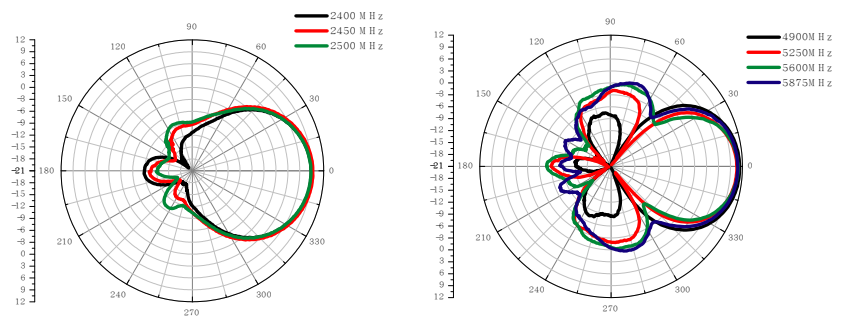


#### Environmental & Mechanical Characteristics

Survival wind speed	216 km/hr
Temperature	- 40°C to +80°C
Humidity	95% @ 55° C
Radome color	Gray
Radome material	ABS , UV resistant
Weight	0.12 kg
Dimensions	114 x 124 x 40 mm



#### H-plane Co-polarization Pattern



#### V-plane Co-polarization Pattern

