

Dual-Band Omni-Directional Antenna

Version 1

for 2.4 / 5.2 GHz

SAA04-22083A

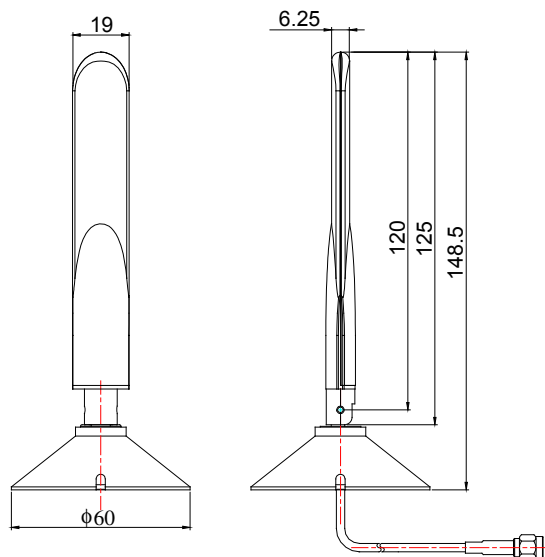
Electrical Specification

| | | |
|-----------------|-----------------------|---------------------|
| Frequency range | 2400 MHz - 2500 MHz | 5150 MHz - 5350 MHz |
| Peak gain* | 2~2.5 dBi | 4.5~5 dBi |
| Average gain* | 1~1.5 dBi | 3~3.5 dBi |
| VSWR | 2.0 : 1 Max. | |
| Polarization | Linear, vertical | |
| Impedance | 50 Ohms | |
| Connector | RP SMA PLUG | |
| Cable | ULA 100, 1.5 m, Black | |
| Cable loss | 2.0 dB | 3.5 dB |

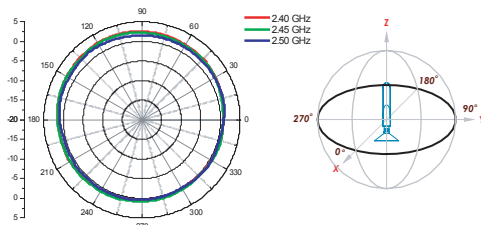
* Exclusive of cable loss

Environmental & Mechanical Characteristics

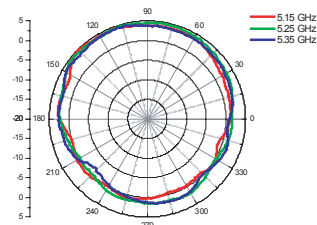
| | |
|--------------|-------------------|
| Temperature | - 10 °C to +55 °C |
| Humidity | 95% @ 55 °C |
| Radome color | Black |
| Weight | 150 g |
| Dimensions | φ60 x 148.5 mm |



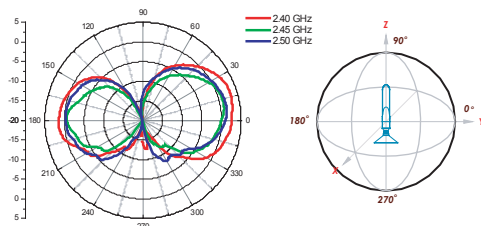
XY- plane Co-polarization Pattern



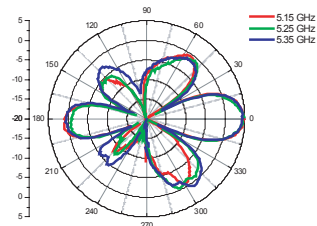
XY- plane Co-polarization Pattern



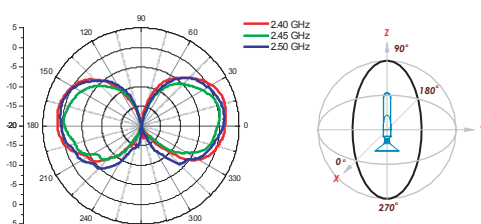
XZ-plane Co-polarization Pattern



XZ-plane Co-polarization Pattern



YZ-plane Co-polarization Pattern



YZ-plane Co-polarization Pattern

