

Dual-Band Omni-Directional Antenna for 2.4 / 5.2 / 5.6 / 5.8 GHz

Version 2

SAA04-220100

Electrical Specification

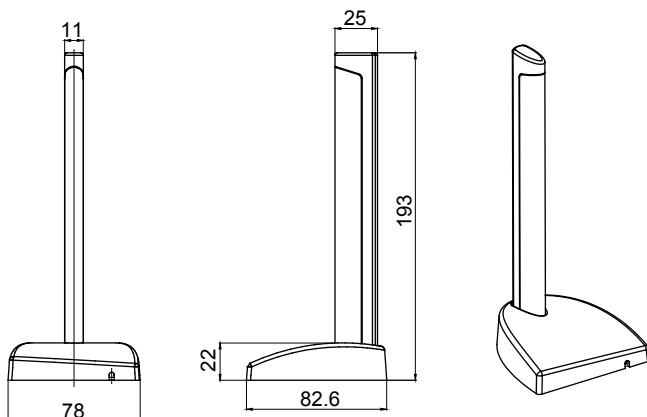
Frequency range	2400 MHz - 2483 MHz	5150 MHz - 5875 MHz
Peak gain*	4.5 dBi	7 dBi
Average gain*	2.5 dBi	5 dBi
VSWR	2.0 : 1 Max.	2.0 : 1 Max.
Polarization	Linear, vertical	Linear, vertical
HPBW / horizontal	360°	360°
HPBW / vertical	30°	15°
Impedance	50 Ohms	
Connector	RP SMA Plug	
Cable	ULA 100, 1m, white	
Cable loss	1.4 dB	2.3 dB

*Exclusive of cable loss.

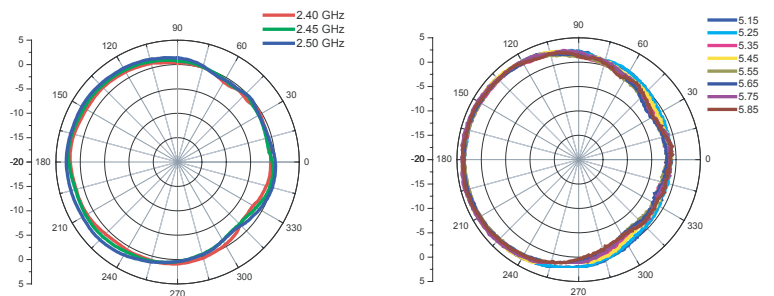


Environmental & Mechanical Characteristics

Temperature	- 10° C to +55° C
Humidity	95% @ 55° C
Radome color	Sliver, Black
Radome material	ABS, UV resistant
Weight	172 g
Dimensions	83 x 78 x 193 mm



H-plane Co-polarization pattern



V-plane Co-polarization pattern

