

# Omni Directional Antenna for 5500 - 5825 MHz SAA04-200280

Version 3.0

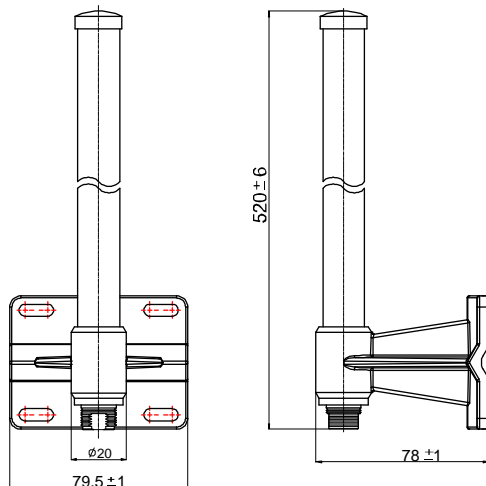
## Electrical Specification

Frequency range	5500 - 5825 MHz
Gain	10.0 dBi
VSWR	2.0 : 1 Max.
Polarization	Linear, vertical
HPBW/horizontal	360°
HPBW/vertical	7°
Downtilt	2°
Power handling	6 W (cw)
Input impedance	50 Ohm
Connector	N jack
Lightning protection	DC ground

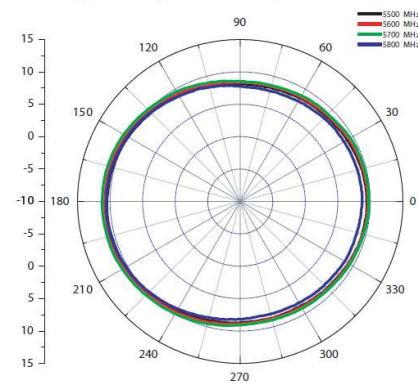


## Environmental & Mechanical Characteristics

Survival wind speed	216 km/hr
Temperature	-40°C to +80°C
Humidity	95% @ 55°C
Ra dome color	Gray
Ra dome material	Fiber glass, UV resistant
Weight*	270 g
Dimensions	80 x 78 x 520 mm



H-plane Co-polarization Pattern @ downtilt 2



V-plane Co-polarization Pattern

