

High Gain Panel Directional Antenna for 3400 - 3700 MHz

Version 3

SAA04-120020

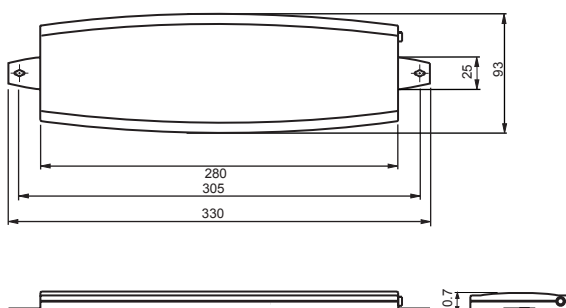
Electrical Specification

Frequency range	3400 MHz - 3700 MHz
Gain	12 dBi
VSWR	2.0 : 1 (Max.)
Polarization	Linear, vertical
HPBW / horizontal	77°
HPBW / vertical	17°
Front to back ratio	18 dB
Downtilt	0°
Power handling	10 W (cw)
Impedance	50 Ohm
Connector	SMA jack

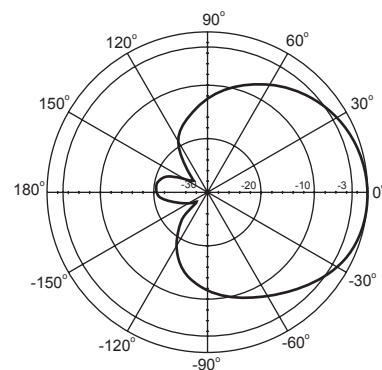


Environmental & Mechanical Characteristics

Temperature	- 10°C to +55°C
Humidity	95% @ 55° C
Lightning protection	DC ground
Radome color	White
Radome material	ABS, UV resistant
Weight	0.19 kgw
Dimensions	330 x 93 x 21 mm



H-plane Co-polarization Pattern



V-plane Co-polarization Pattern

