

High Gain Omni Directional Antenna for 2400 - 2500 MHz

Version 1.0

SAA04-054190

Electrical Specification

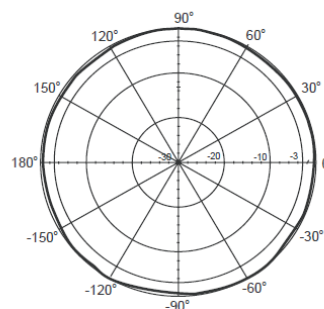
Frequency range	2400 - 2500 MHz
Peak gain	6.0 dBi
VSWR	2.0 : 1 Max.
Polarization	Linear, Vertical
HPBW/horizontal	360°
HPBW/vertical	30°
Electrical downtilt	0°
Power handling	20 W (cw)
Impedance	50 Ohm
Connector	N jack

Environmental & Mechanical Characteristics

Survival wind speed	216 km/hr
Temperature	-40°C to +80°C
Humidity	95% @55°C
Lightning protection	DC ground
Radome color	Gray
Radome material	Fiber glass, UV resistant
Weight	210 g
Dimensions	80 x 78 x 335 mm



H-plane Co-polarization Pattern



V-plane Co-polarization Pattern

