

# Omni-Directional Antenna

Version 2

## for 2.4 GHz

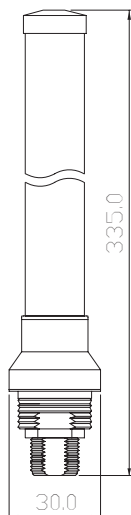
### SAA04-054160

#### Electrical Specification

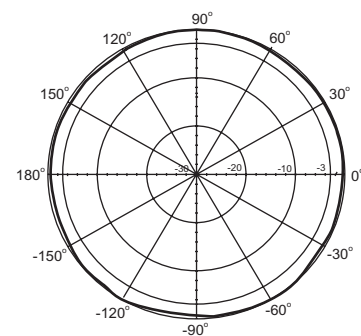
Frequency range	2400 MHz - 2500 MHz
Gain	5.0 dBi
VSWR	2.0 : 1 Max.
Polarization	Linear, vertical
HPBW / horizontal	360°
HPBW / vertical	30°
Electrical downtilt	0°
Power handling	5W (cw)
Impedance	50 Ohms
Connector	N Jack

#### Environmental & Mechanical Characteristics

Survival wind speed	216 km/hr
Temperature	- 40°C to +80°C
Humidity	95% @ 55° C
Lightning protection	DC ground
Radome color	Gray, White
Radome material	Fiberglass
Weight	0.8 kg
Dimensions	30 x 335 mm



H-plane Co-polarization Pattern



V-plane Co-polarization Pattern

