

Directional Grid Antenna for 2.4 GHz

Version 2

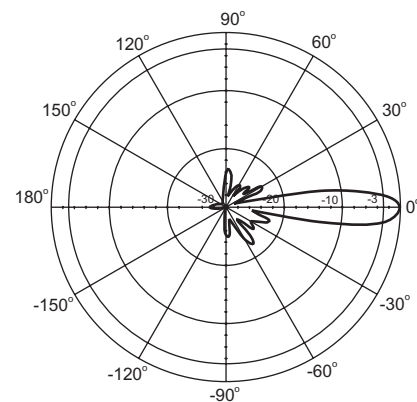
SAA04-053660

Electrical Specification

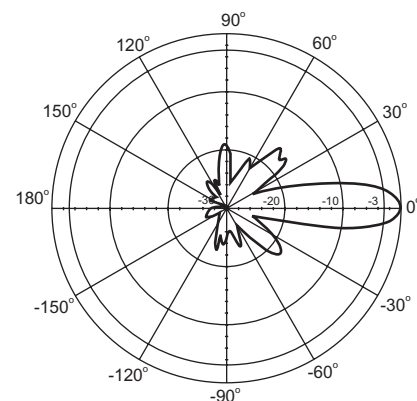
Frequency range	2400 MHz - 2500 MHz
Gain	24 dBi
VSWR	1.5 : 1 Max.
Polarization	Linear, vertical / horizontal
HPBW / horizontal	7°
HPBW / vertical	13°
Front to back ratio	24 dB
Cross-polarization rejection	25 dB
Power handling	20 W (cw)
Impedance	50 ohms
Connector	N female



H-plane Co-polarization Pattern (linear, vertical)



V-plane Co-polarization Pattern (linear, vertical)



Environmental & Mechanical Characteristics

Survival wind speed	216 km/hr
Temperature	- 40°C to +80°C
Humidity	95% @ 55°C
Lightning protection	DC ground
Grid color	Ivory white
Grid material	Powder-coating aluminum
Weight	3.4 kg
Dimensions	100 x 60 x 50 cm