

# Desktop Omni-Directional Antenna for 2.4 GHz

Version 2

## SAA04-052230

### Electrical Specification

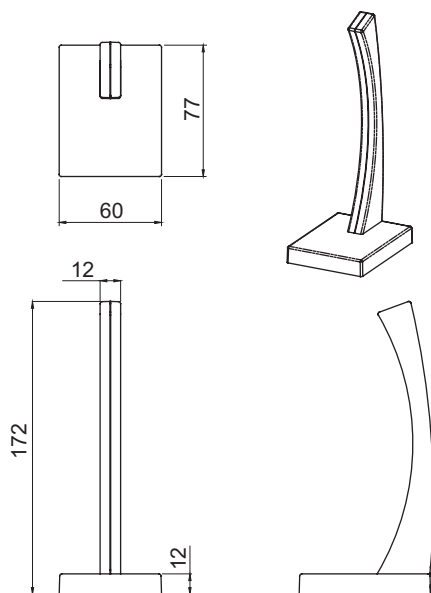
Frequency range	2400 MHz - 2500 MHz
Gain <sup>1</sup>	4.5 dBi
VSWR	2.0 : 1 Max.
Polarization	Linear, vertical
HPBW / horizontal	360°
HPBW / vertical	55°
Impedance	50 Ohms
Power handling	2 W (cw)
Connector	RP SMA plug
Cable	ULA 100, 1M: black

<sup>1</sup> Exclusive of cable loss

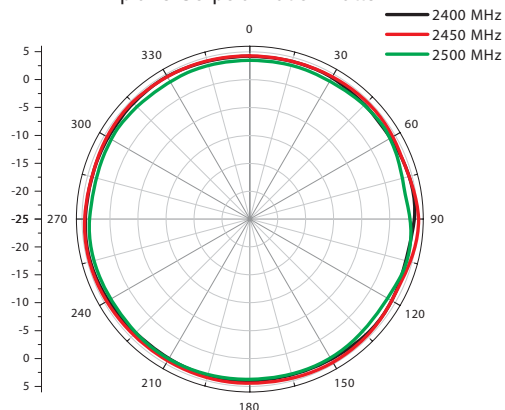


### Environmental & Mechanical Characteristics

Temperature	- 10°C to +55°C
Humidity	95% @ 55°C
Radome color	Silver, black
Radome material	ABS, UV resistant
Weight	118 g
Dimensions	172 x 60 x 77 mm



H-plane Co-polarization Pattern



V-plane Co-polarization Pattern

