

Omni-Directional Antenna for GSM1800 / UMTS

Version 0.1

SAA04-051040

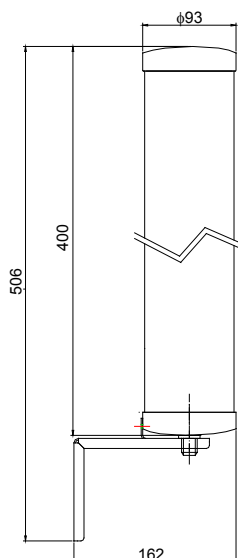
Electrical Specification

Frequency range	1710 MHz - 2170 MHz
Gain	5 dBi
VSWR	1.7 : 1 Max.
Polarization	Linear, vertical
HPBW / vertical	30°
HPBW / horizontal	360°
Intermodulation	≤-150 dBc
Power handling	50 W (cw)
Impedance	50 Ohms
Connector	N jack

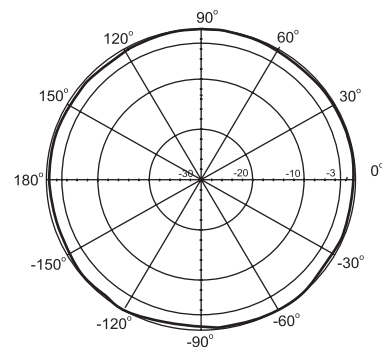


Environmental & Mechanical Characteristics

Survival wind speed	200 km/hr
Temperature	- 40°C to +80°C
Humidity	95% @ 55° C
Radome color	White
Radome material	ABS, UV resistant
Weight	0.38 kgw
Dimensions	162 x 506 mm



H-plane Co-polarization Pattern



V-plane Co-polarization Pattern

