

# High Gain Panel Directional Antenna for 2400 - 2700 MHz

Version 1

## SAA04-050680

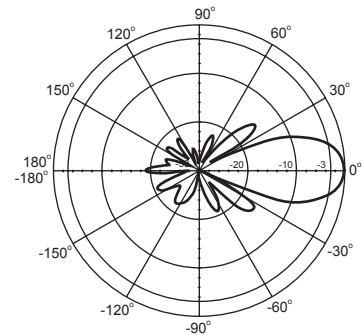
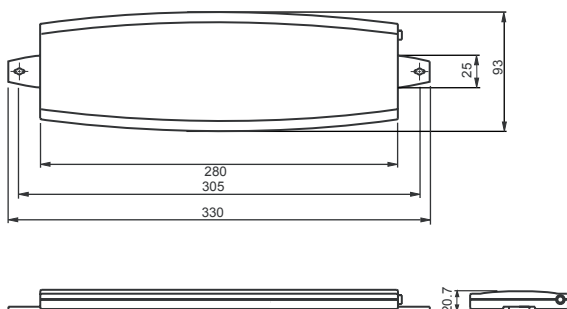
### Electrical Specification

Frequency range	2400 - 2700 MHz
Gain	12 dBi
VSWR	2.0 : 1 (Max.)
Polarization	Linear, vertical
HPBW / horizontal	83°
HPBW / vertical	22°
Front to back ratio	18 dB
Downtilt	0°
Power handling	10 W (cw)
Impedance	50 Ohm
Connector	SMA jack

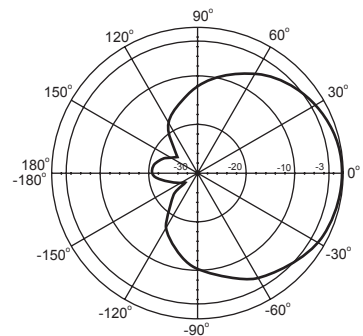


### Environmental & Mechanical Characteristics

Temperature	- 10°C to +55°C
Humidity	95% @ 25°C
Lightning protection	DC ground
Radome color	White
Radome material	ABS, UV resistant
Weight	0.31 kg
Dimensions	330 x 93 x 21 mm



Vertical



Horizontal