

## for 2.4 GHz

### SAA04-050460

#### Electrical Specification

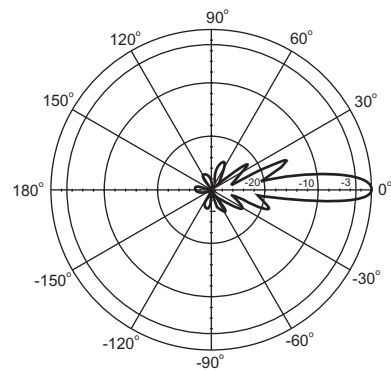
Frequency range	2300 MHz - 2500 MHz
Gain	15 dBi
VSWR	1.5 : 1 Max.
Polarization	Linear, vertical
HPBW / vertical	8°
HPBW / horizontal	90°
Front to back ratio	25 dB
Downtilt	0°
Power handling	100W (cw)
Impedance	50 Ohms
Connector	N female

#### Environmental & Mechanical Characteristics

Survival wind speed	216 km/hr
Temperature	- 40° C to +80° C
Humidity	95% @ 25° C
Lightning protection	DC ground
Radome color	Gray-white
Radome material	ABS, UV resistant
Housing material	AL6063
Weight	3.5 kgw
Dimensions	840 x 145 x 62 mm



V-plane Co-polarization Pattern



H-plane Co-polarization Pattern

