

High Gain Directional Panel Antenna

Version 2

for 2400 - 2500 MHz

SAA04-050360

Electrical Specification

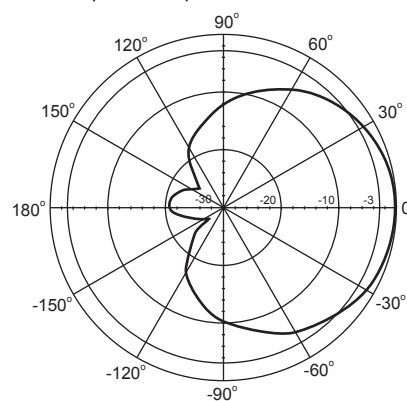
Frequency range	2400 - 2500 MHz
Gain	12 dBi
VSWR	2.0 : 1 (Max.)
Polarization	Linear, vertical
HPBW / horizontal	84°
HPBW / vertical	23°
Front to back ratio	15 dB
Downtilt	0°
Power handling	10 W (cw)
Impedance	50 Ohm
Connector	SMA jack



Environmental & Mechanical Characteristics

Survival wind speed	216 km/hr
Temperature	- 40° C to +80° C
Humidity	95% @ 55° C
Lightning protection	DC ground
Radome color	White
Radome material	ABS, UV resistant
Weight	0.2 kg
Dimensions	327 x 80 x 22 mm

H-plane Co-polarization Pattern



V-plane Co-polarization Pattern

