

Omni Directional Antenna for 2400 - 2500 MHz

Version 3

SAA04-05017B

Electrical Specification

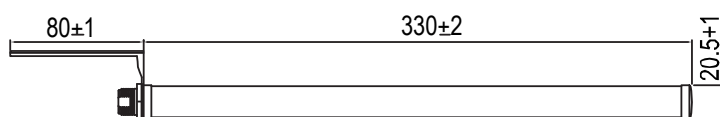
Frequency range	2400 - 2500 MHz
Gain*	5 dBi
VSWR	2.0 : 1 (Max.)
Polarization	Linear, Vertical
HPBW / horizontal	360°
HPBW / vertical	32°
Input impedance	50 Ohm
Cable	ULA198(B), 30cm
Connector*	N jack
Power handling	20 W (cw)

*Exclusive of cable loss

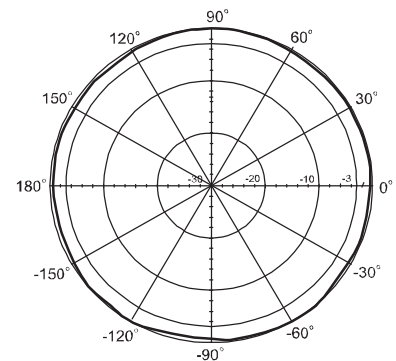


Environmental & Mechanical Characteristics

Survival wind speed	216 km/hr
Temperature	-40°C to +80°C
Humidity	95% @ 55°C
Radome color	Gray
Radome material	Fiber glass, UV resistant
Weight*	0.8 kg
Dimensions	φ19 x 330 mm
Mounting kit	Pole mount



H-plane Co-polarization Pattern



V-plane Co-polarization Pattern

