

Portable Panel Directional Antenna for 2.4 GHz

Version 1

SAA04-05012G

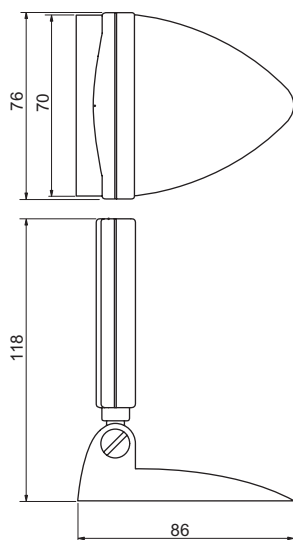
Electrical Specification

Frequency range	2400 MHz - 2500 MHz
Gain	6 dBi
VSWR	1.5 : 1 Max.
Polarization	Linear, vertical
HPBW / horizontal	80°
HPBW / vertical	80°
Front to back ratio	12 dB
Power handling	2W (cw)
Impedance	50 Ohms
Connector	RP SMA Plug
Cable	ULA 316, 150cm



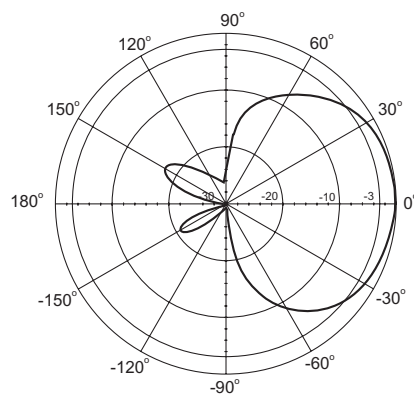
Environmental & Mechanical Characteristics

Temperature	- 10° C to +55° C
Humidity	95% @ 55° C
Radome material	ABS, UV resistant
Weight	110 g
Dimensions	118 x 86 x 76 mm



Dimenions (mm)

H-plane Co-polarization Pattern



V-plane Co-polarization Pattern

