

Portable Omni Directional Antenna for 2.4 GHz

Version 1

SAA04-05008A

Electrical Specification

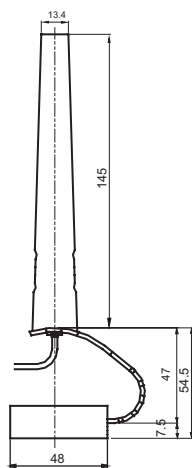
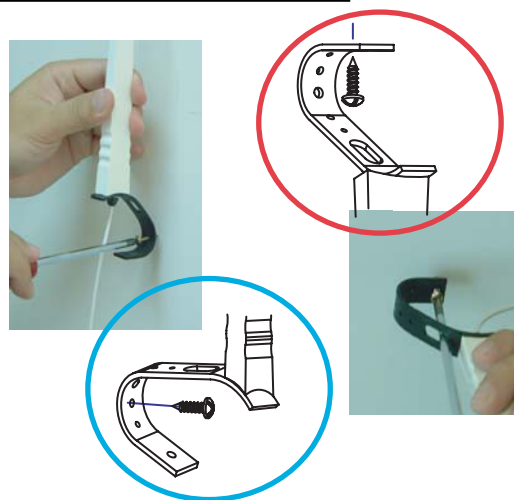
Frequency range	2400 MHz - 2500MHz
Gain	4 dBi
VSWR	2.0 : 1 Max.
Polarization	Linear, vertical
HPBW / horizontal	360°
HPBW / vertical	40°
Impedance	50 Ohms
Connector	RP SMA plug
Cable	ULA 316, 150cm



Environmental & Mechanical Characteristics

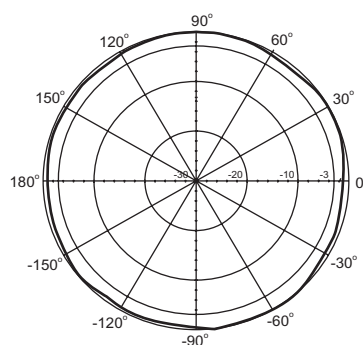
Temperature	- 10° C to +55° C
Humidity	95% @ 25° C
Radome color	White
Radome material	ABS, UV resistant
Weight	180 g
Dimensions	145 x 54.5 x 48 mm

Mounting Configuration



Dimenions (mm)

H-plane Co-polarization Pattern



V-plane Co-polarization Pattern

