

Portable Omni Directional Antenna

for 2400 – 2500 MHz

Preliminary 0.1

SAA04-050070

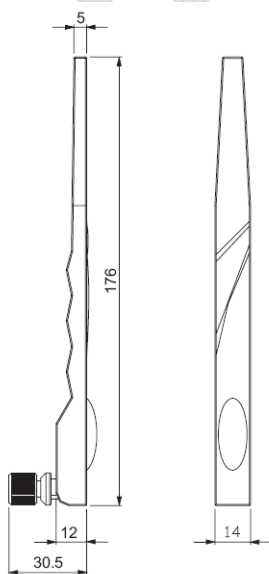
Electrical Specification

Frequency range	2400 - 2500 MHz
Gain	5.0 dBi
VSWR	2.0 : 1 (Max.)
Polarization	Linear, vertical
HPBW/horizontal	360°
HPBW/vertical	35°
Impedance	50 Ohm
Connector	RP SMA plug
Power handling	2 W(cw)

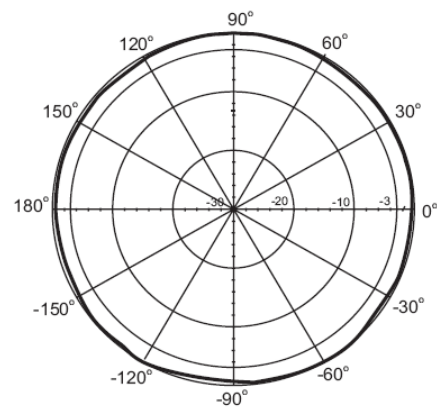


Environmental & Mechanical Characteristics

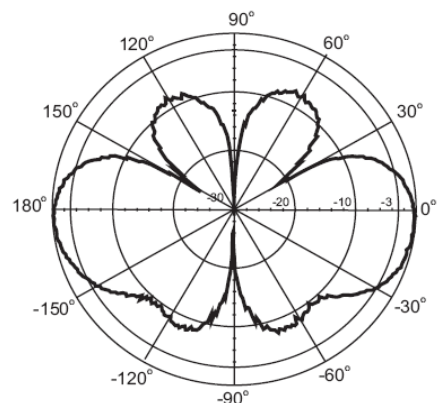
Temperature	-10 °C to +55 °C
Humidity	95% @25°C
Radome color	Black
Radome material	ABS
Weight	30 g
Dimensions	14 x 30.5 x 176 mm



Dimensions (mm)



Horizontal



Vertical