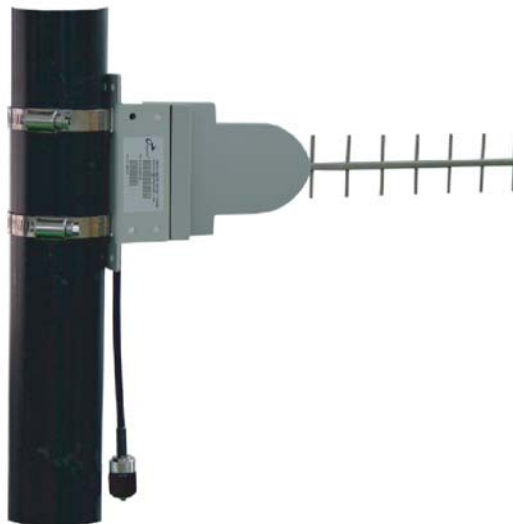


for 2.4 GHz

SAA04-050030

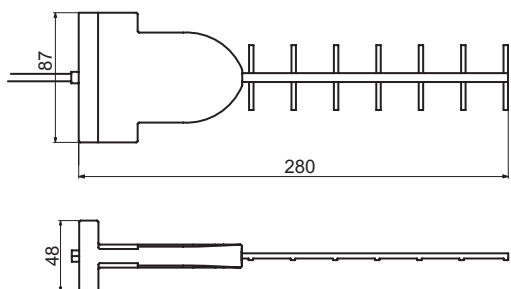
Electrical Specification

Frequency range	2400 MHz - 2500 MHz
Gain	12 dBi
VSWR	1.5 : 1 Max.
Polarization	Linear, vertical
HPBW / horizontal	50°
HPBW / vertical	50°
Front to back ratio	15 dB
Downtilt	0°
Power handling	10 W (cw)
Impedance	50 Ohms
Connector	N female
Cable	ULA 198, 32cm

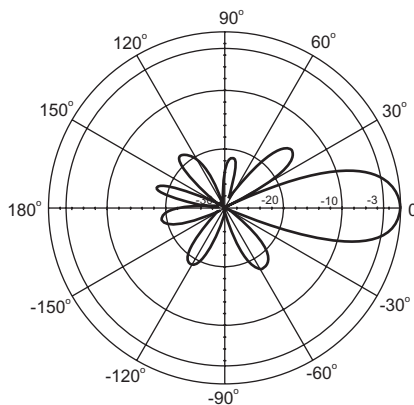


Environmental & Mechanical Characteristics

Survival wind speed	216 km/hr
Temperature	- 40°C to +80°C
Humidity	95% @ 55°C
Lightning protection	DC ground
Radome color	Gray-white
Radome material	ABS, UV resistant Fire retardant
Weight	0.3 kg
Dimensions	280 x 87 x 48 mm



H-plane Co-polarization Pattern



V-plane Co-polarization Pattern

